

# **INSTRUCTION MANUAL**

## **ESPRESSO COFFEE MAKER**



**Master Coffee MC685S**

220-240V ~ 50/60Hz 1350W

Read this manual thoroughly before using and save it for future reference

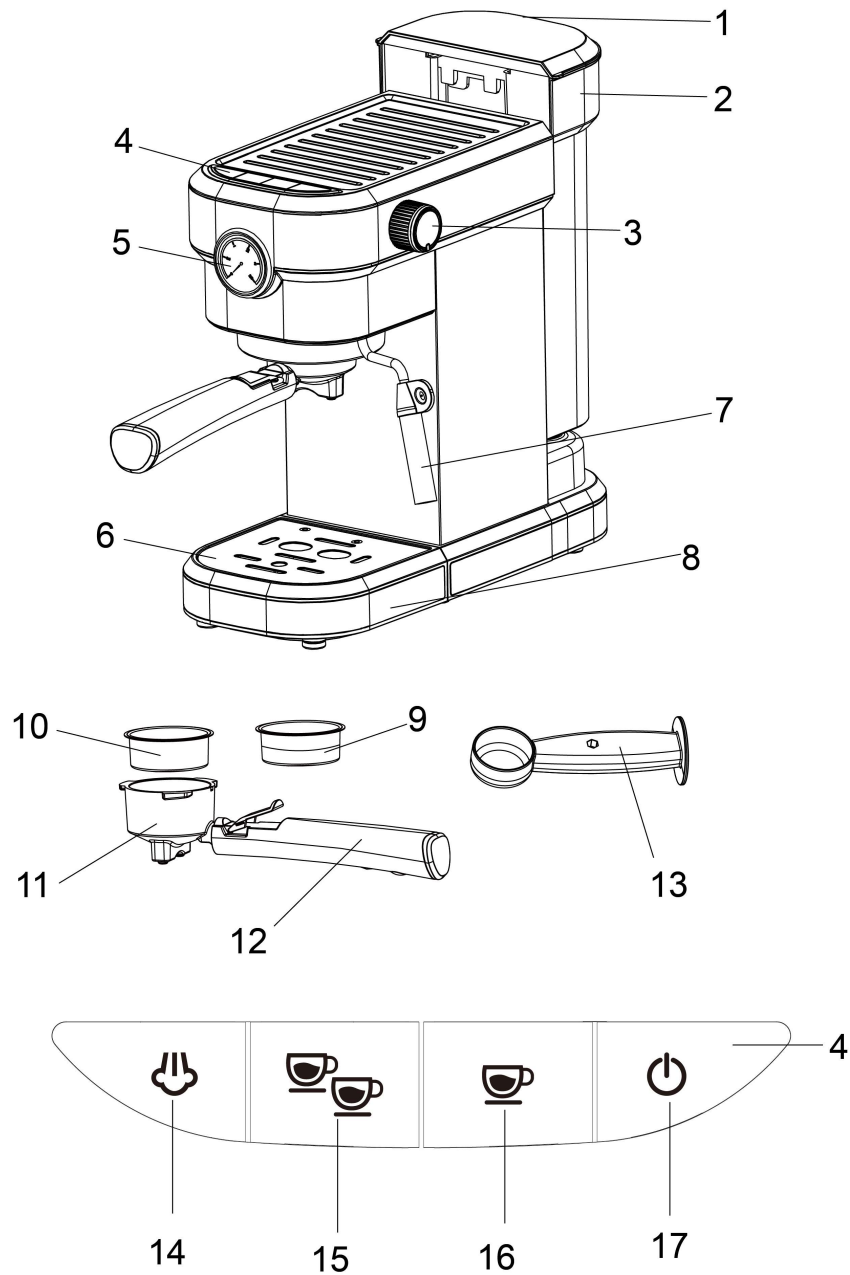
## **Product introduction**

This product is an espresso coffee machine in the coffee machine system of our company. Its model is classical atmosphere, rich in coffee grease and foam, easy to operate, safe and easy to clean.

## **Product features**

1. Detachable transparent water tank and drip tray
2. Can make all kinds of espresso coffee
3. Durable stainless cup plate for coffee cups preheating
4. Can make espresso coffee and milk foam
5. Detachable frothing nozzle and drip tray for easy cleaning
6. With pressure meter on the front body to show the display

# KNOW YOUR COFFEE MAKER



- 1. tank cover    2. water tank    3. steam knob    4. control panel
- 5. pressure meter    6. cup plate    7. frothing nozzle    8. drip tray
- 9. one cup of filter    10. two cups of filter    11. funnel
- 12. aluminum alloy filter holder    13. coffee spoon    14. steam knob
- 15. buttons in two cups    16. button in one cup    17. power switch





## **IMPORTANT SAFEGUARDS**

When using an electrical appliance, basic safety precautions should always be followed to reduce the risk of fire, electric shock or injury to people, including the followings:

1. Before using checks that the voltage of wall outlet corresponds to coffee maker rating plate.
2. The appliance must be earthed.
3. Close supervision is necessary when your appliance is being used near children.
4. To prevent electric shock in case of fire, do not put the power cord and plug into water or any other liquid; Do not damage, over bend or stretch the power cord; Do not place heavy objects on the cord.
5. To protect against electric shock, don't put cord, plug or machine into water or any other liquids.
6. Do not use the equipment in high temperature, high magnetic field and damp environment. Do not put the coffee machine on a hot surface, near the fire source or other electrical appliances, such as refrigerator.
7. Please do not turn on the machine when the wire or plug is damaged, the coffee machine is out of order or damaged in any way, and return to the nearest authorized service center for inspection and maintenance, or contact the dealer.
8. Please use original accessories.
9. This machine is only used for making coffee, do not use it for other purposes, and put it in a dry environment.
10. Place the coffee maker on a flat surface or on a table. Do not hang the power cord on the edge of the table or counter
11. Don't let cord hang over edge of table or countertop
12. When operating the coffee machine, do not directly touch the hot parts on the surface.
13. Regularly clean and maintain the coffee machine parts to ensure the quality of coffee and extend the service life of the coffee machine.
14. Do not move or turn off the power when the coffee machine is working.
15. Do not operate without water.
16. To ensure safety, please read the instructions carefully and grasp the correct use method.
17. Do not wash the coffee maker or power cord in water or other liquids.
18. Household use only , don't use outdoors.
19. Before using it for the first time, please cook it twice with clean water to remove the odor.

20. Save these instructions booklet for future reference.
21. The coffee-maker shall not be placed in a cabinet when in use.
22. Cleaning and user maintenance shall not be made by children without supervision.
23. This appliance can be used by children aged from 8 years and above if they have been given supervision or instruction concerning use of the appliance in a safe way and if they understand the hazards involved. Cleaning and user maintenance shall not be made by children unless they are older than 8 and supervised. Keep the appliance and its cord out of reach of children aged less than 8 years.
24. Appliances can be used by persons with reduced physical, sensory or mental capabilities or lack of experience and knowledge if they have been given supervision or instruction concerning use of the appliance in a safe way and understand the hazards involved.
25. Children shall not play with the appliance.
26. Warning: misuse may cause potential injury. The heating element surface is subject to residual heat after use.
27. HOUSEHOLD USE ONLY

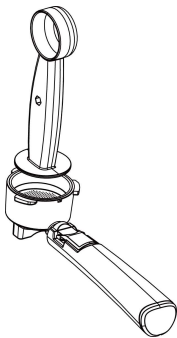
### **First use/cold machine state preparation**

1. Pour the water into the tank and the water level should not exceed the "Max" mark in the tank
2. Remove the funnel from the packaging box, put it into the filter and screw it into the corresponding position of the machine. The funnel handle is aligned with the " " mark.
3. Plug in the power, then press the " " button, the machine beeps. "one cup" and "two cups" button light flashes three times, the machine starts to warm up.
4. (make sure that the steam knob is " ". If it is " ", the four lights will flash together and it will not work.)

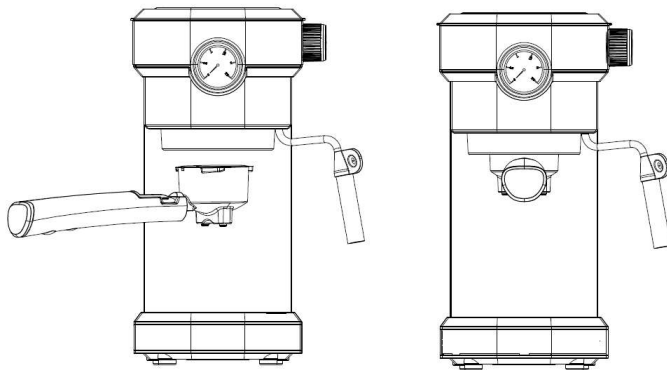
5. When the indicator light of "one cup" and "two cups" is always on, press the button of "one cup" to wash the coffee filter or coffee cup with hot water.

### Make Espresso coffee:

1. While the machine is preheating, the ground coffee powder (the coffee powder should be no. 1 powder, not too thick or too fine) can be loaded into the "metal filter" and then compressed with the powder press; Meanwhile, clean the coffee powder at the edge of the funnel with a brush or hand (if 1 cup is needed, use 1 cup net; if 2 cups are needed, use 2 cups net).



2. Insert the funnel and lock it tightly as indication sign, then place the coffee cup under the funnel.



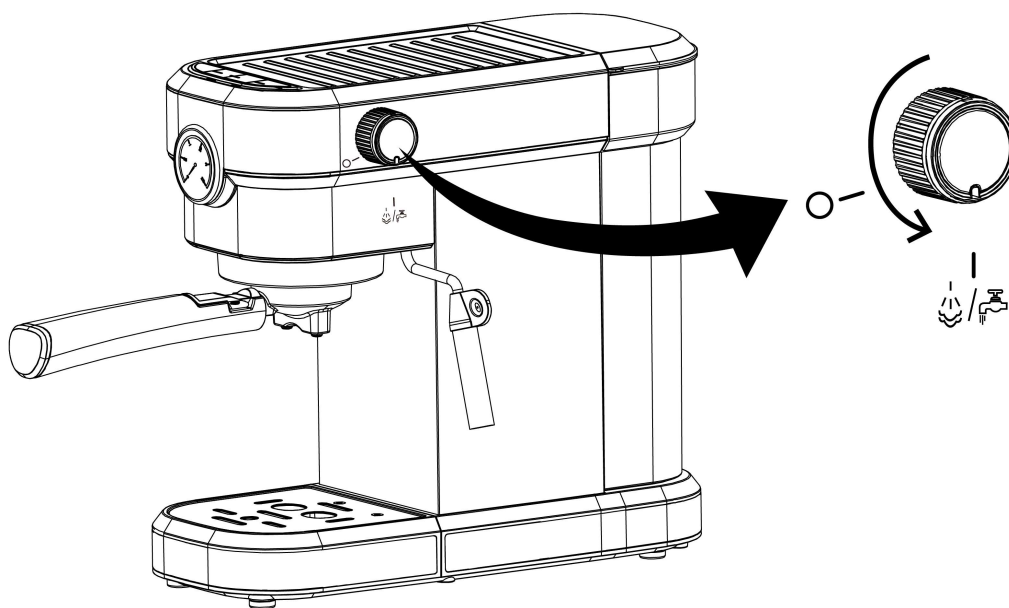
3. When the "☕" , "☕☕" light is on, press the "☕" button several times and the coffee starts to flow out 1 cup of coffee. (or press the key "☕☕" to release 2 cups of coffee)

4. At the same time, adjust the position of the coffee cup to let the coffee liquid flow into the cup along the cup wall.

5. Wait for the coffee to drip, it's done!

## Steam milk foam function

1. Press "☰" and then "☷". At this time, the "☷" indicator starts flashing until the indicator turns on normally and the preheating is completed
2. Pour the iced whole milk into the latte art cup 1/3 of the way, insert the steam nozzle 1CM into the milk surface, then slowly unscrew the "steam knob" until the steam starts to come out.











(**Note:** Steam size can be adjusted according to personal proficiency. Release a little water in the steam pipe before foaming)

3. When the temperature of milk reaches about 75 degrees and the milk foam begins to inflate, you can twist the "steam knob" to "☰" and press "☷" to close.

## Hot water function



Press the "☷" switch, turn the "steam knob" to "☰", and the steam pipe starts to continuously discharge hot water; Turn the "steam knob" to "☷" to stop the hot water.

## Additional function -- memory coffee making function

1. After the machine is heated up (when the " " and " " indicator lights become stay on, press and hold the " " button , and the funnel starts to pour coffee. When the desired amount is reached, then release the " " button, you will listen a sound from the machine. That means the time has been memorized. The next time you press the " " button, press this time to make coffee (the longest time is 60 seconds, [The setting is invalid for more than 60 seconds, remaining at the default time.](#)) RE: If you set the time was too short, the memory time will not be save, the continuous time effluent volume should be more than 15ml.
2. " "Key memory function setting is the same as above.
3. Restore factory Settings: press and hold " " + " "for 3 seconds at the same time. When both keys are on and ringing 1 times, reflecting the factory settings have been restored.

## Cooling function

When the machine makes coffee after the steam, turn off the "steam switch", because the temperature is too high, one cup and two cups of indicator light will flash, the machine needs to be cooled. At this time, rotate the "steam knob"

to " ", the machine starts to pump water, and the steam pipe starts to continuously discharge water and cool down. After the indicator light flashes quickly, turn the "steam knob" to " " and stop cooling down. It can make coffee when the power indicator is on.

## Cleaning and maintenance

1. Cut off the power and let the coffee machine clean before it cools completely.



2. Wipe the outside and parts of the coffee maker with a damp cloth or a clean sponge.

**Note:** Do not use alcohol or solvent cleaner, do not immerse the machine in water to clean.

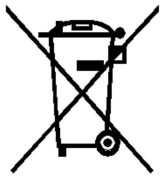
3. Unscrew the coffee funnel and clean the coffee grounds in the filter.

## Troubleshooting

Problem	Reason	Method
No water/steam	<ol style="list-style-type: none"> <li>Whether there is water in the water tank/whether the water tank is stuck in place</li> <li>Water is not added in advance in the machine.</li> <li>The machine is not preheated.</li> </ol>	<ol style="list-style-type: none"> <li>Fill the tank with water and turn on the power switch and the coffee switch</li> <li>How to add water to the machine: press the hot water button, and the pump will start to add water into the machine until there is water flowing out from the steam nozzle or funnel.</li> <li>The machine needs to be preheated before the coffee can be produced. That is, it indicates that the coffee will turn to normal light in the flickering state.</li> </ol>
No grease	The coffee grounds are too thick/the grounds are not pressed	Replace the coffee powder and flatten it with a press
No steam	<ol style="list-style-type: none"> <li>Plug the steam outlet</li> <li>Steam switch is not on or preheating is not completed to turn on steam</li> </ol>	<ol style="list-style-type: none"> <li>Use a small wire through the steam hole</li> <li>Clean the steam pipe with hot water after foaming.</li> <li>Turn on the steam switch, and wait for the preheating to complete before steam</li> </ol>

More or less Coffee	Too much or too little coffee powder	According to the standard amount of powder, 1 cup with 1 tablespoon to pressure, coffee powder can not be too thick or too fine. Too thick coffee can not be completely extracted, too fine affect the amount of coffee.
The milk does not foam well	1. whether it is whole milk 2. Before the steam key is warmed up, it starts to milk	1. Use whole milk 2. Steam can only be started after the steam indicator light turns from flashing to constant light.
No coffee, coffee light and steam light flash	The temperature is too high after steaming	Water cooling
Not boil coffee	In the steam state, the steam switch is not off	Turn the steam switch to OFF

## Environment friendly disposal



You can help protect the environment!  
Please remember to respect the local regulations: hand in the non-working electrical equipments to an appropriate waste disposal center.